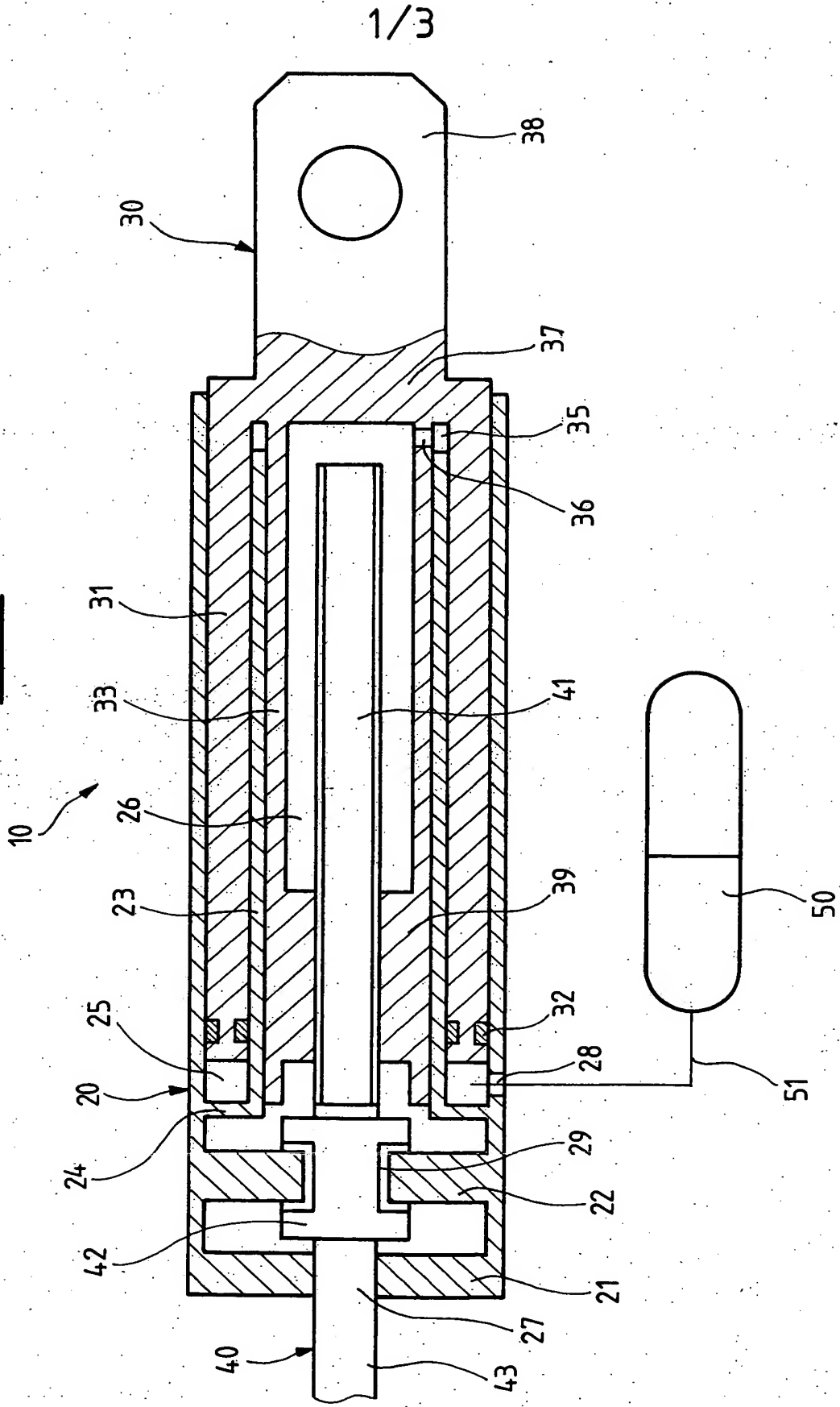
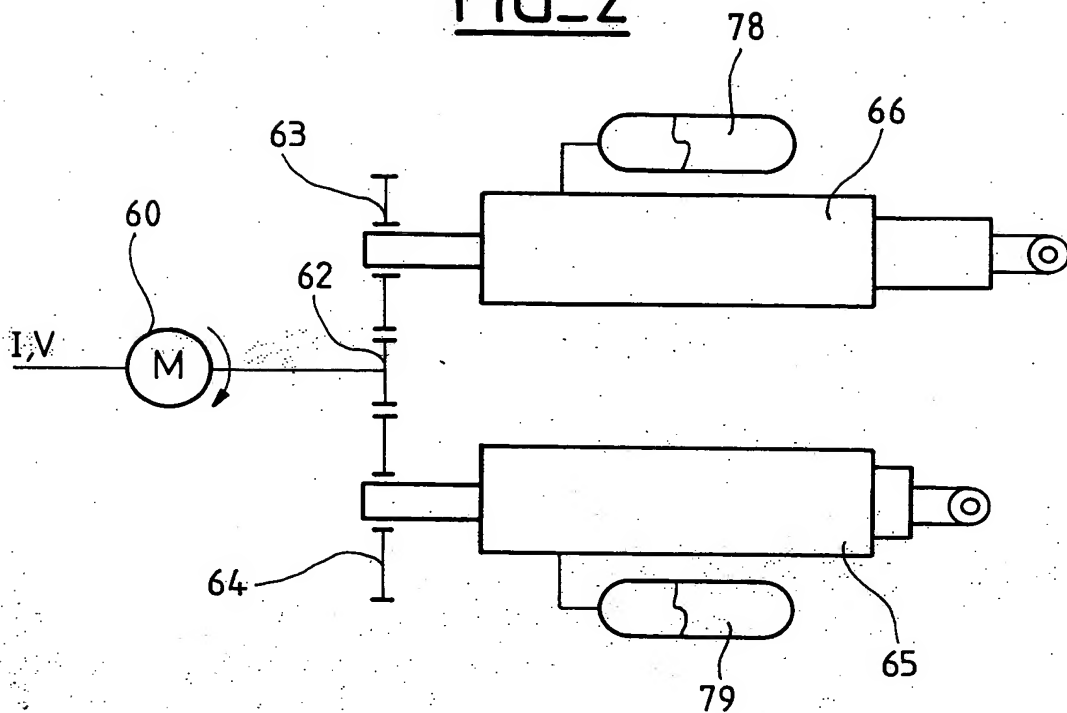


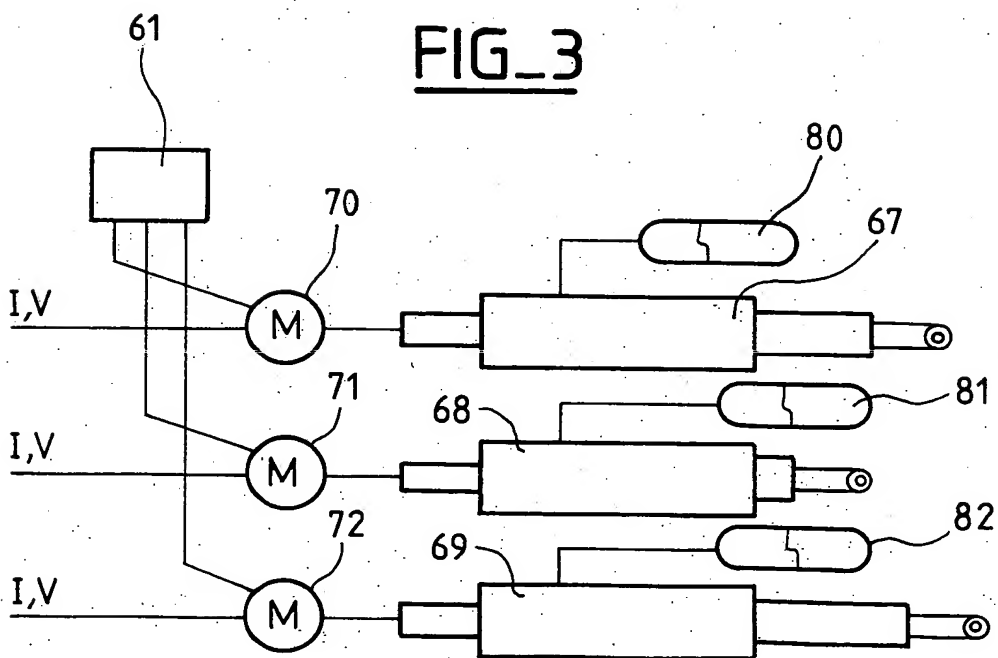
FIG-1



FIG_2

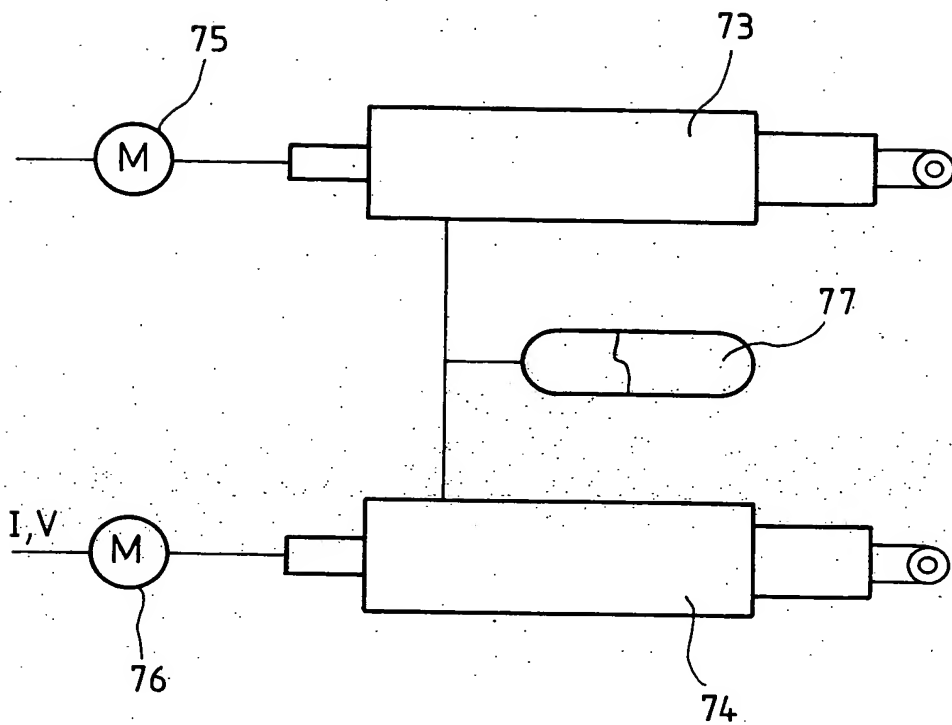


FIG_3



20250229123007

FIG_4



40942048.0001